

FISCHBEIN SEWING HEAD

SERIES E

PARTS ILLUSTRATIONS



MAINTENANCE INSTRUCTIONS



ADJUSTMENTS



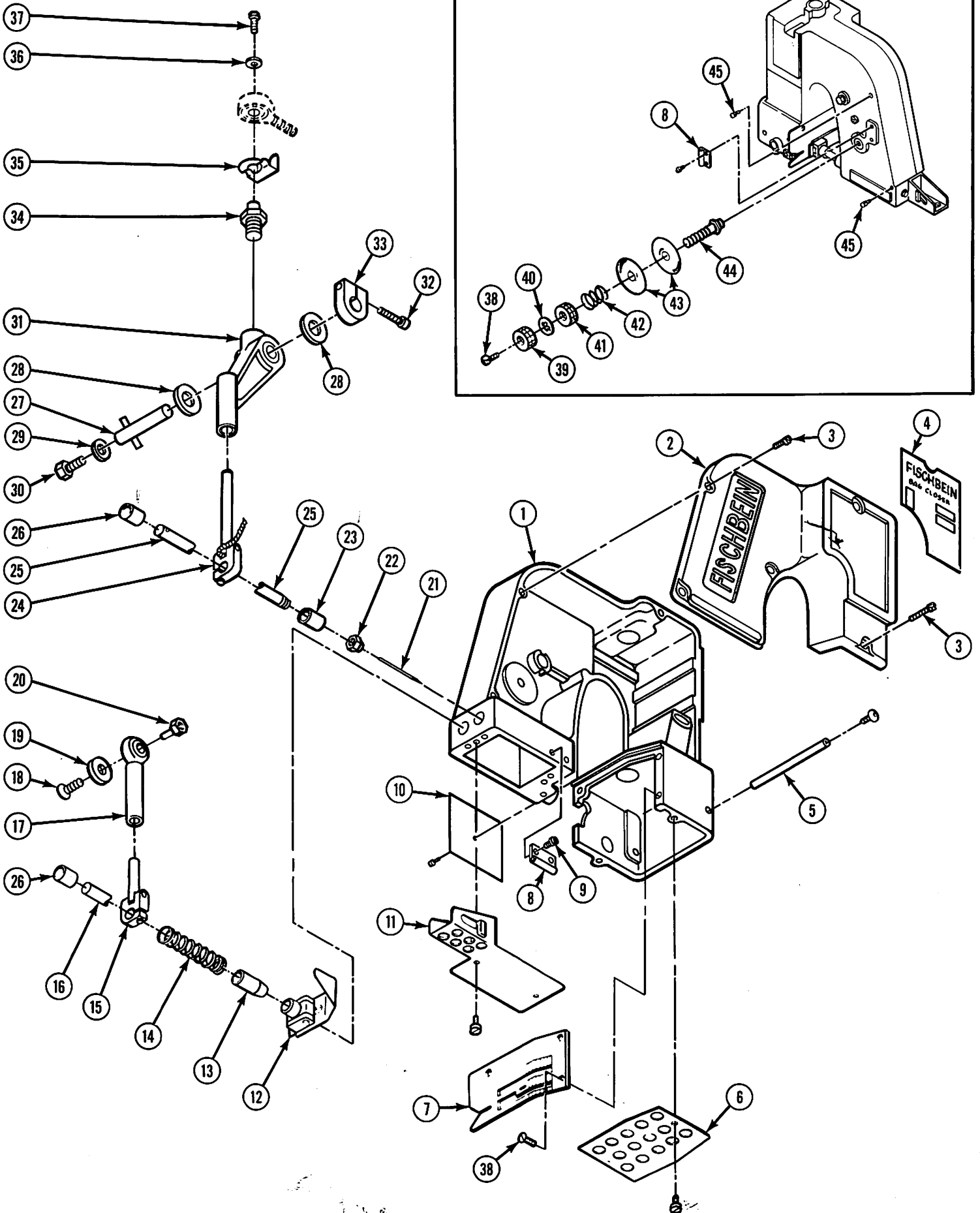
Copyright 1961

By

McCullough & Company

4717 E. 119th St. • Phone 816-761-2857
Kansas City, Mo. 64137

PLATE A



REFERENCE PLATE A

MODEL E HOUSING, NEEDLE LEVER, PRESSER FOOT

ILLUSTRATED PARTS BREAKDOWN

ORDER BY NUMBER

ITEM	QUAN.	PART NO.	DESCRIPTION
1	1	11149	HOUSING WITH BUSHINGS (MOD. E)(COMPLETE)
2	1	11024	COVER, HOUSING (MOD. E)
3	6	75379	SCREW, FIL. HD.- #8-32 N.C. X 5/8
4	1	11004	NAMEPLATE (MOD. E)
5	1	11010	STUD, FEED DOG - CARRIER SLIDE (MOD. E)
	2	75156	SCREW, SOC. BUTTON HD.- # 10-32 N.F. X 1/4
6	1	11102	COVER, LOOPER
	1	11108	STUD, LOOPER COVER
7	1	11210	PLATE, THROAT - STANDARD
	1	11212	PLATE, THROAT - TAPING
8	2	11118	TUBE, THREAD GUIDE
9	4	75010	SCREW, BINDING HEAD - # 6-32 N.C. X 3/16
10	1	11009	PLATE, COVER (MOD. E)
	1	75023	SCREW, BINDING HD - # 10-32 N.F. X 1/4
11	1	11101	GUARD, NEEDLE BAR
	3	75014	SCREW, BINDING HD.- # 8-32 N.C. X 3/16
12	1	11400	ASSY., PRESSER FOOT (COMPLETE)
	1	11399	PRESSER FOOT, TAPING AND PLASTIC
	1	11402	BOLT, HANGING
	1	11711	NUT
	2	75246	SCREW, SOC. SET (FLAT PAINT) # 8-32 N.C. X 3/16
13	1	11413	BUSHING, LOWER
14	1	11414	SPRING, PRESSER BAR
15	1	11405	ASSY., CLAMP - PRESSER BAR
	1	75166	SCREW, SOC. CAP - # 5-40 N.C. X 1/2
16	1	11404	PRESSER BAR
17	1	11407	ASSY., LEVER - LIFTER
18	1	75273	SCREW, TRUSS HD.- # 8-32 N.C. X 1/2
19	1	11410	WASHER, FELT
20	1	75366	NUT, LOCK - # 8-32 N.C.
21	1	05	NEEDLE
22	1	11501	NUT, NEEDLE BAR
23	1	11504	BUSHING, NEEDLE BAR - LOWER
24	1	11502	ASSY., CLAMP - NEEDLE BAR
25	1	11500	NEEDLE BAR
26	2	11503	BUSHING, NEEDLE BAR & PRESSER BAR - UPPER
27	1	11172	ASSY., PIVOT - NEEDLE LEVER (MOD. E)
28	2	75387	WASHER, THRUST - NEEDLE LEVER
29	1	75275	WASHER, COMPRESSION - # 10
30	1	75074	SCREW, HEX HD - # 10-32 N.F. X 3/8
31	1	11091	ASSY., NEEDLE LEVER (MOD. E)
32	1	75356	SCREW, CAP - # 6-32 N.C. X 5/16
33	1	11008	CLAMP, PIVOT - NEEDLE (MOD. E)
34	1	11507	STUD, CONNECTING ROD
35	1	11510	SPRING
36	1	11208	WASHER
37	2	75076	SCREW, HEX HD.- # 10-32 N.F. X 1/2
38	4	75354	SCREW, FLAT HD.- # 6-40 N.F. X 3/8 (1 TENSION, 3 THROAT PLATE)
39	1	11116	NUT, TENSION - UPPER
40	1	75298	WASHER, LOCK - 1/4
41	1	11117	NUT, TENSION - LOWER
42	1	11115	SPRING, TENSION
43	2	11114	DISC., TENSION
44	1	11113	STUD, TENSION
45	2	11109	EYELET, THREAD PULLOFF

REFERENCE PLATE B

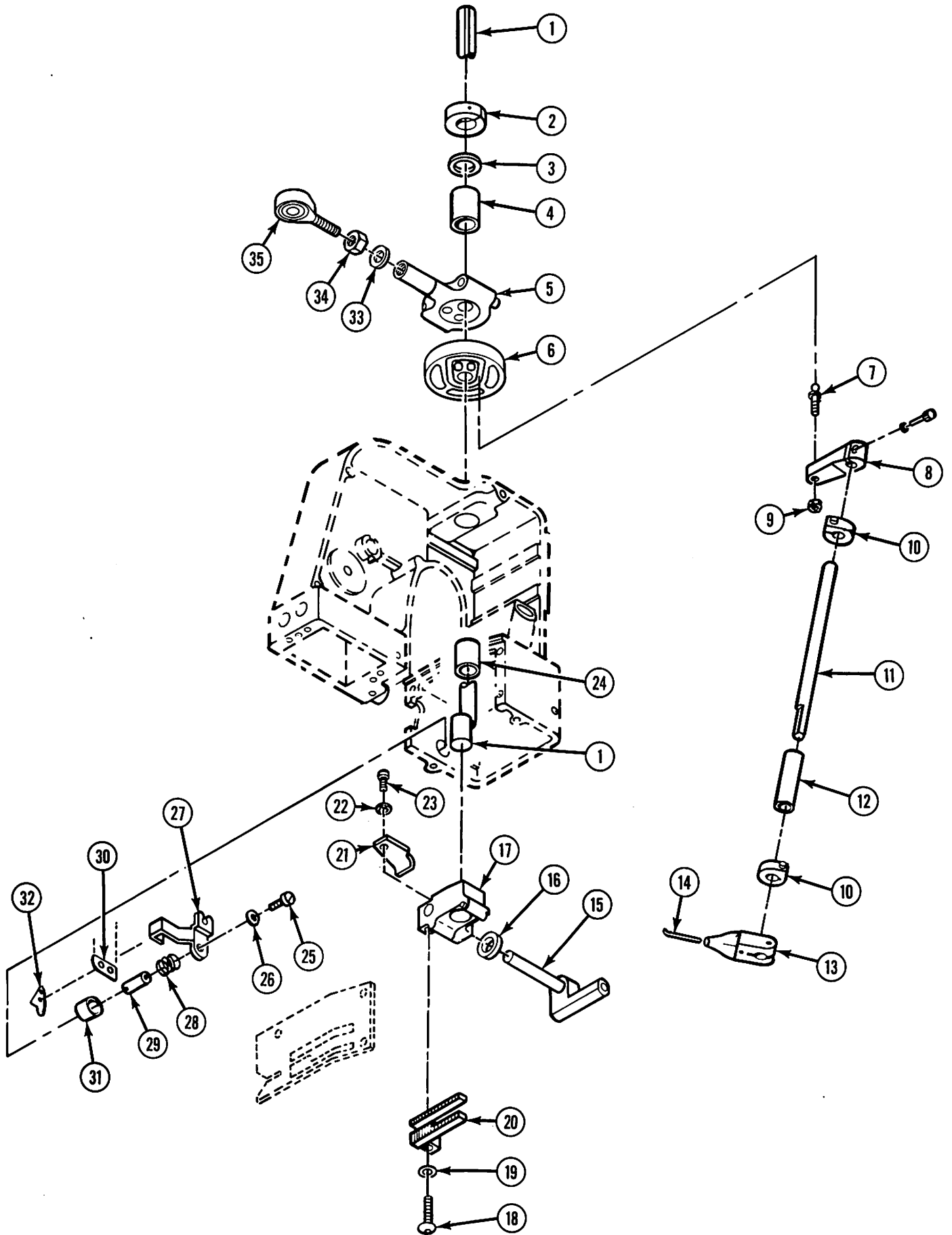
MODEL E MAIN SHAFT, LOOPER ASSY.

ILLUSTRATED PARTS BREAKDOWN

ORDER BY NUMBER

ITEM	QUAN.	PART NO.	DESCRIPTION
1	1	11600	MAIN SHAFT
2	1	11603	COLLAR, MAIN SHAFT (COMPLETE)
	1	75165	SCREW, SOC. CAP- #5-40 N.C. X 3/8
3	1	11006	WASHER, THRUST
4	1	11032	BUSHING, MAIN SHAFT-REAR (MOD. E)
5	1	11079	ASSY., CON ROD & ECCENTRIC (MOD. E)
6	1	11310	ASSY., CAM-LOOPER (COMPLETE)
	1	75262	SCREW, SOC. SET- #10-32 N.F. X 5/8 - CONE PT.
	1	75259	SCREW, SOC. SET- #10-32 N.F. X 1/2
7	1	11308	STUD, CAM FOLLOWER
8	1	11307	ARM, FOLLOWER-CAM (COMPLETE)
	1	75167	SCREW, SOC. CAP- #5-40 N.C. X 5/8
	1	11313	WASHER, FLAT-SPECIAL
9	1	75333	NUT, LOCK- #10-32 N.F.
10	2	11304	COLLAR, LOOPER SHAFT (COMPLETE)
	2	75166	SCREW, SOC. CAP- #5-40 N.C. X 1/2
11	1	11303	SHAFT, LOOPER
12	1	11019	BUSHING, LOOPER SHAFT (MOD. E)
13	1	11301	HOLDER, LOOPER
	1	75246	SCREW, SOC. SET- #8-32 N.C. X 3/16 FLAT PT.
	1	75164	SCREW, SOC. CAP- #5-40 N.C. X 1/4
14	1	11300	LOOPER
15	1	11002	SLIDE (MOD. E)
16	1	11410	WASHER, FELT
17	1	11015	CARRIER BLOCK, FEED DOG - (MOD. E)(COMPLETE)
	4	75358	SCREW, SOC. SET-HEAVY DUTY #6-40 N.C. X 3/8
18	1	75172	SCREW, SOC. CAP- #8-32 N.C. X 1
19	1	75370	WASHER, FLAT- #8 - SPECIAL
20	1	11203	FEED DOG
21	1	11003	CLIP, ANGLE (MOD. E)
22	1	75289	WASHER, INTERNAL TOOTH- #8
23	1	75071	SCREW, HEX HD.- #8-32 N.C. X 5/16
24	1	11031	BUSHING, MAIN SHAFT-FRONT (MOD. E)
25	1	75073	SCREW, HEX HD.- #10-32 N.F. X 5/16
26	1	75296	WASHER, LOCK- #10
27	1	11007	BRACKET, KNIFE (MOD. E)
28	1	11704	SPRING, KNIFE-TENSION
29	1	11707	SHAFT, KNIFE
30	1	11703	KNIFE, STATIONARY
	2	75037	SCREW, FLAT HD.- #3-48 N.C. X 3/16
31	1	11016	BUSHING, KNIFE SHAFT
32	1	11702	KNIFE, MOVING
	2	75037	SCREW, FLAT HD.- #3-48 N.C. X 3/16
33	1	75292	WASHER, LOCK-5/16 (INTERNAL TOOTH)
34	1	11609	NUT, HEX-5/16-24 N.F.
35	1	11607	BEARING, ROD END

PLATE B



MAINTENANCE

Your Model E Portable Bag Closer is equipped with self lubricating features. Do not operate without oil visible in oil reservoir. Clean and check oil level in oil reservoir daily. For best results, use genuine Fischbein Cleaning Solvent and Lubricating Oil obtainable from the Dave Fischbein Company or any Authorized Representative. Wash out dirt as follows: Unthread needle. With machine running, dip portion shown, Fig. No. 1, in three or four inches of solvent for about 10 seconds. Then in addition to the oil reservoir on the machine, oil all shafts, feed dog carrier mechanism, and cutting knife parts. (Important: Do not use gasoline or similar agent as a cleaning solvent.)

If machine skips stitches or fails to chain off, the cause could be any of the following: Excessive wear, requiring rebuilding or servicing; improper threading or tension (see special instructions on threading and tension enclosed with this form); bent or incorrectly installed needle; damaged or misadjusted looper; incorrect needle bar setting. To check these adjustments or replace these parts, carefully follow instructions listed below:

Do not disturb connecting rod, part No. 11079 or looper cam, part No. 11310. They are timed and set at factory.

NEEDLE INSTALLATION

Insert new needle into needle bar as far as it will go, with the long groove facing exactly outside of machine. The long groove will enter into bar. Lock needle securely with wrench provided with machine. See Fig. No. 2.

LOOPER INSTALLATION

Remove needle, throat plate, feed dog, and presser foot. (To remove presser foot, loosen the two presser foot set screws, remove needle bar guard, part No. 11101. Using a screwdriver as a lever lift up the presser bar clamp, part No. 11405, which will allow the presser foot sufficient clearance to slide off the bottom of presser bar. DO NOT loosen or alter setting of the presser bar clamp, part No. 11405.) Loosen looper set screw, No. 75246 and remove old looper. Insert new looper, making sure that it is down in the looper holder, part No. 11314 as far as it will go. Securely tighten looper set screw against flat on looper shank. Install new straight needle. NOTE: The point of the looper must pass through the center of the needle scarf with about 1/64" clearance between looper point and needle. See "A," Fig. No. 3. (The scarf is the hollowed out section just above the eye of the needle. See Fig. No. 3.) Unless the looper holder and/or needle bar have moved or have slipped, the looper will time up automatically. If necessary, adjust clearance between looper point and needle by loosening the looper holder clamp screw and sliding the looper holder in or out on looper shaft as required. See next paragraph for needle bar setting.

LOOPER TIMING ADJUSTMENT

This adjustment does not have to be made when replacing the looper, but only after looper shaft, looper cam, or cam follower has been replaced.

The looper stroke is correct when there is approximately 1/32" between looper point and edge of needle when looper is at maximum back stroke. See "D," Figure No. 4. To adjust, first rotate machine in sewing direction so that looper is at maximum back stroke position, then loosen clamp screw No. 75167 in part No. 11307 and move looper as necessary.

NEEDLE BAR ADJUSTMENT

Remove needle bar guard, part No. 11101. Turn machine pulley in normal sewing direction until looper is in approximately position shown in Fig. No. 5 as needle is on the upstroke. Slightly loosen clamping screw on needle bar clamp, part No. 11502. Raise or lower needle bar and/or turn machine pulley to bring looper point flush with or not more than 1/64" ahead of edge of needle, see "B," Fig. No. 5, and to align bottom edge of looper flush with top of needle eye, see "C," Fig. No. 5. Do not change looper setting. Securely lock needle bar clamp and replace needle bar guard. Recheck for proper needle/looper clearance, Fig. No. 3.

STITCH LENGTH

The length of stitch is 3½ to the inch, when, at their highest point, the teeth of the feed dog protrude 3/32" above the throat plate. If the stitches shorten up, check the following:

1. Teeth on feed dog may be worn down. Feed dog must then be replaced.
2. Feed dog may have slipped so that the teeth protrude less than 3/32". Merely raise the feed dog by raising the adjusting screws No. 75358 located on the feed carrier block. Note that there is a set of locking screws No. 75358 on the under side of the feed carrier block.

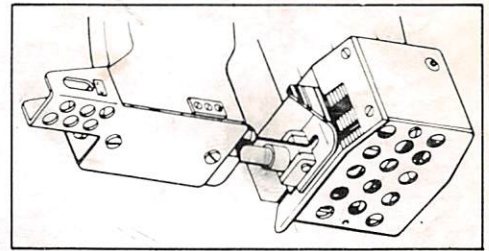


Figure No. 1

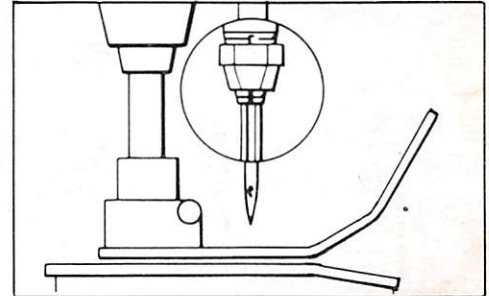


Figure No. 2

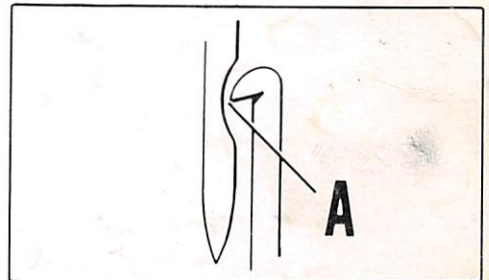


Figure No. 3

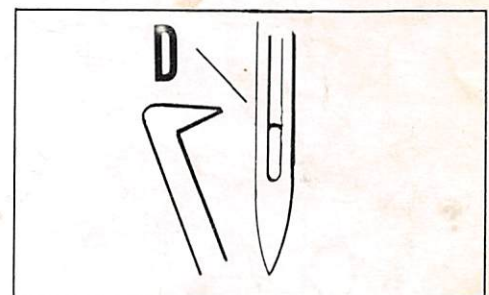


Figure No. 4

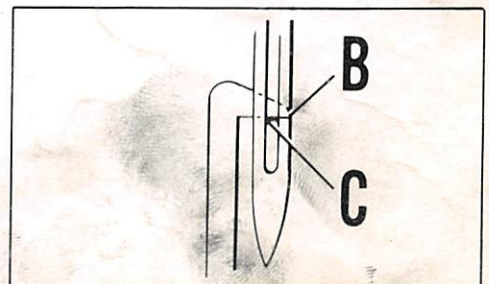


Figure No. 5